

DATA SHEET

DALI Relay Module

Item number

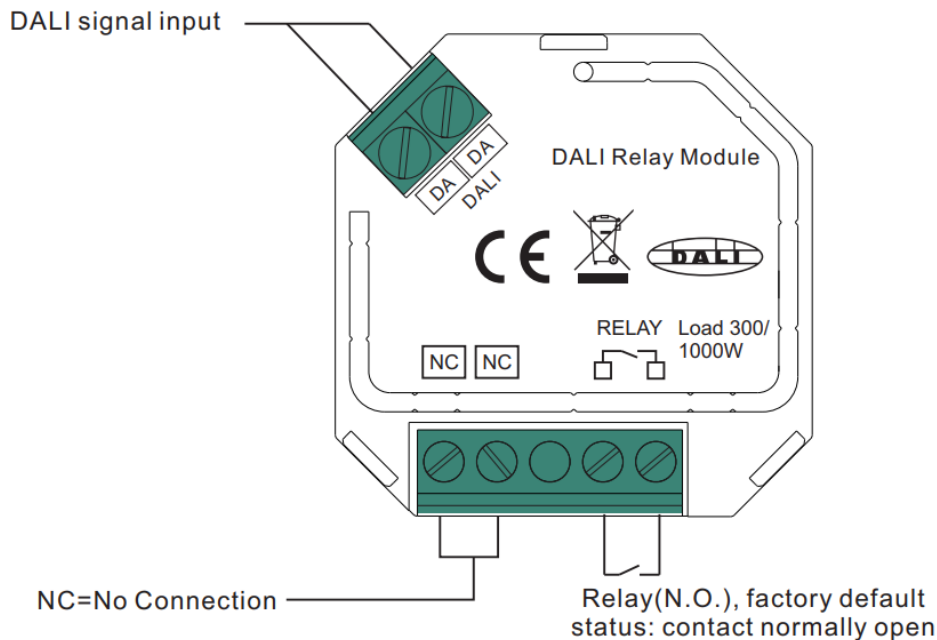
CT-DL-1010



- DALI relay module
- DALI bus powered, no extra power supply required
- 1 DALI address can be assigned by DALI master controller
- Control of one standard contactor
- Compact relay module for controlling a standard contactor via DALI
- Loads that do not have a DALI input can therefore be integrated in the DALI circuit
- The loads can be switched on and off via DALI
- Compatible with universal DALI systems and master controllers in the market
- Mini Size, easy to be Installed into a standard wall box
- 2 years warranty
- Waterproof grade: IP20



Function Introduction



Safety & Warnings

- DO NOT install with power applied to device.
- DO NOT expose the device to moisture.

DATA SHEET

DALI Relay Module

Item number




CT-DL-1010

Technical data

GENERAL

Input	DALI control input	1
	DALI consumption	< 3mA
	Number of DALI addresses	1
Output, relay	Switching voltage AC	Max. 250V
	Switching voltage DC	Max. 30V
	Current	Resistive load: max. 4.3A Capacitive load: max. 1.3A Inductive load: max. 4.3A
	Type of contact	1 changeover

Compatible Load Types

Load Symbol	Load Type	Maximum Load
	Resistive loads Conventional incandescent and halogen light sources	1000W @ 230VAC 500W @ 110VAC
	Capacitive loads Fluorescent tube lamp (compact / with electronic ballast), electronic transformer, LED	300W @ 230VAC 150W @ 110VAC
	Inductive loads Ferromagnetic transformers	1000W @ 230VAC 1000W @ 230VAC

DATA SHEET

DALI Relay Module

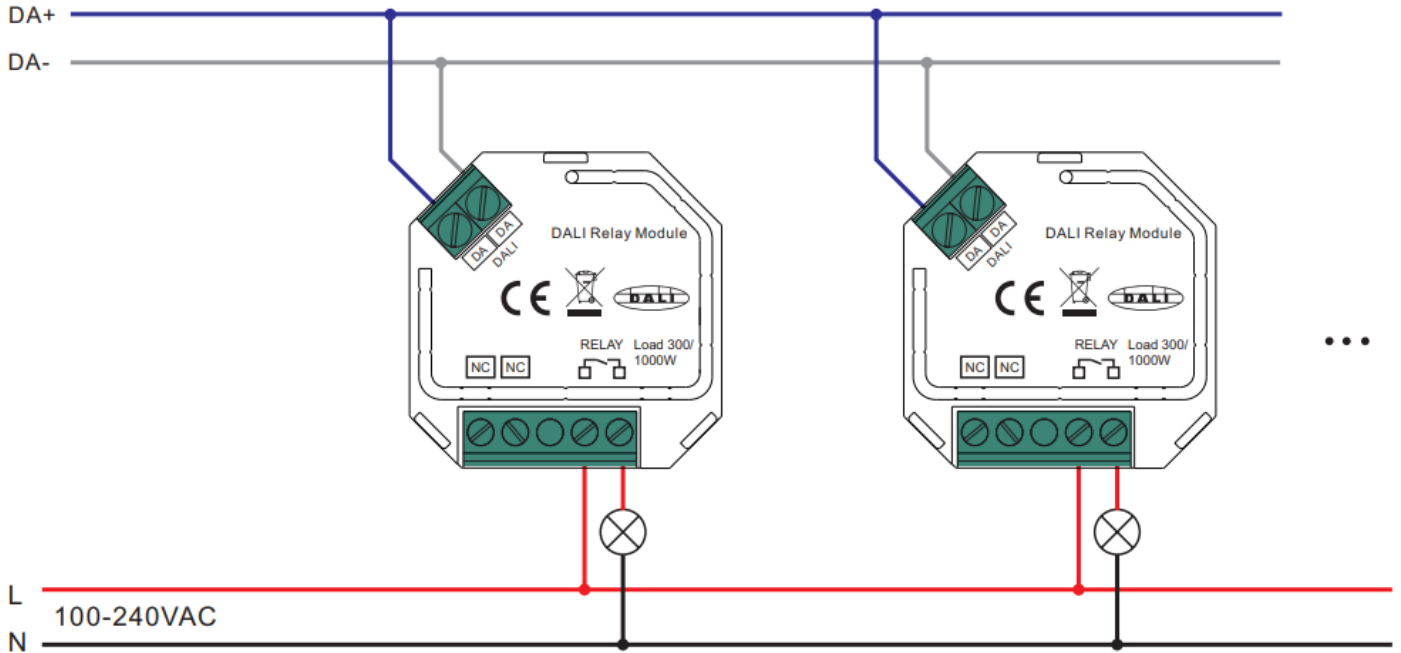
Item number

CT-DL-1010

Wiring Diagram

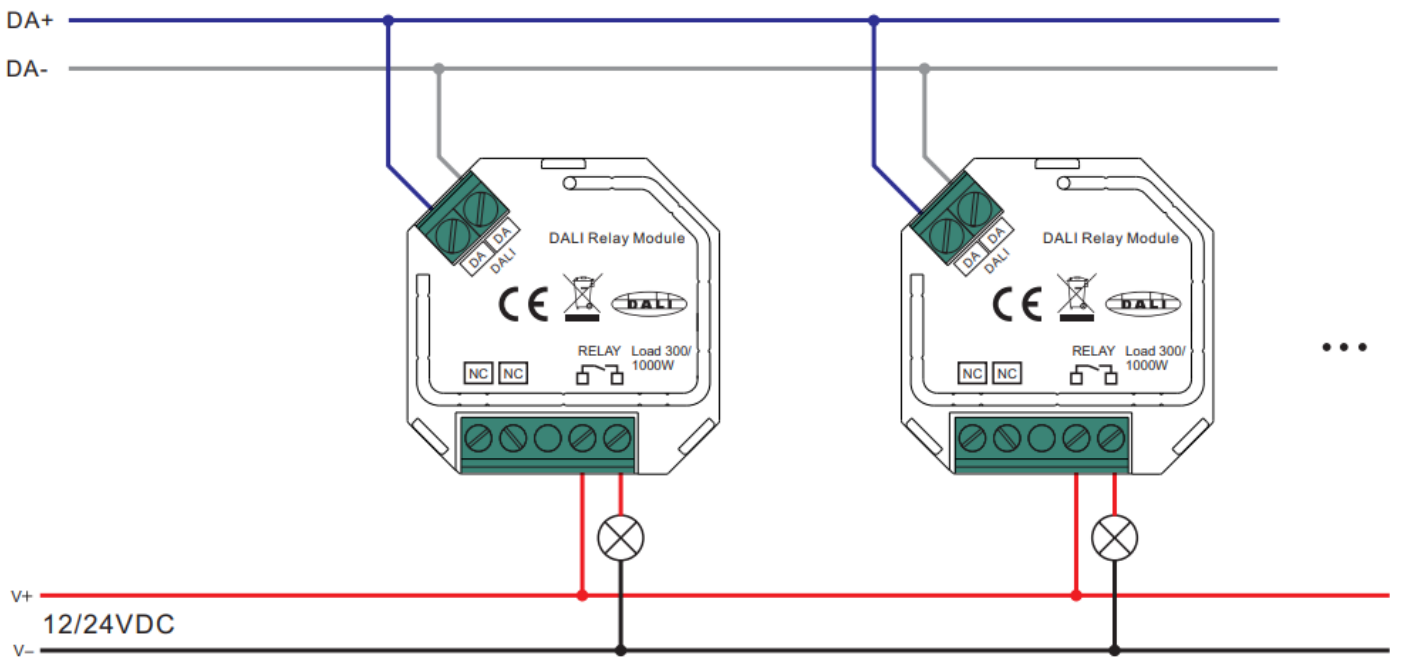
(1) Switching of 100-240VAC load

DALI BUS



(2) Switching of 12/24VDC load

DALI BUS



DATA SHEET

DALI Relay Module

Item number

CT-DL-1010

Operation

Setting DALI Address:

1 DALI address can be assigned by DALI Master controller automatically, please refer to user manuals of compatible

DALI Masters for specific operations.

Product Dimension

